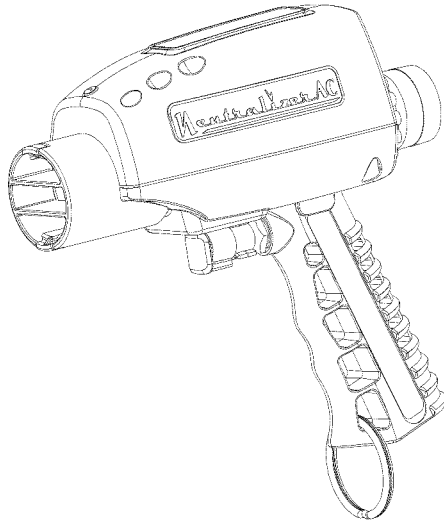


# Owner's Manual For

# Neutralizer<sup>®</sup> AC

## Ionizing Blow Gun Model 6500



### Principle of Operation

NRD's electric static eliminators operate on the principle of corona discharge. This type of ionizer is simple to use and very efficient for removing static charges, which can attract and hold onto dust and debris.

Corona ionization occurs when an electrical voltage is placed on a sharp point called an emitter pin. In a properly designed AC (alternating current) ionizing device, both positive and negative ions are produced making it capable of neutralizing either polarity on a statically charged object or surface.

### Contents of Package:

- One (1) Neutralizer<sup>®</sup> AC Model 6500 Ionizing Blow Gun
- Two (2) Emitter Pins (1 installed)
- One (1) Battery Charger
- Two (2) Safety Keys (1 installed)
- Two (2) Trigger Lockout Clip (1 installed)



2937 Alt Boulevard / PO Box 310 / Grand Island, NY 14072-0310  
PHONE 716 773 7634 / FAX 716 773 7744 / EMAIL sales@nrdinc.com / WEB www.nrdinc.com

## Symbol Explanations

⚠ - Caution, read the guidelines and precautions for the safe use of your Neutralizer®AC.

⚡ - Electrical Shock Hazard, read the guidelines and precautions for the safe use of your Neutralizer®AC.

## General Guidelines and Precautions

1. Read this instruction manual before installing or operating equipment.
2. If the Neutralizer®AC is used in a manner not specified in this user manual, the protection provided by it's design may be impaired.
3. Charge battery completely before using the Neutralizer®AC Ionizing Blow Gun for the first time.
4. Connect ionizer to a supply of clean, dry compressed air.
5. Keep water, oil, grease, and other contamination away from ionizer at all times.
6. ⚠ CAUTION: Insert the safety key into the battery jack and attach the trigger lockout clip behind the trigger before performing any maintenance.
7. ⚠ CAUTION: Keep away from strong magnetic fields.
8. Do not operate device in excess of specifications.
9. ⚠ ⚠ CAUTION: Electrical shock hazard. Do not touch the emitter pin or insert objects into the outlet of the ionizer when the power is energized.
10. ⚠ Fire hazard. Do not install or operate equipment in close proximity to any flammable solvents or in explosive atmospheres.
11. ⚠ Always wear safety glasses or goggles and hearing protection when operating the Neutralizer®AC Ionizing Blow Gun.
12. Do not submerge in water. If water enters the Neutralizer®AC allow it to thoroughly dry before using again.
13. Do not leave the Neutralizer®AC near a heat source.
14. Do not disassemble or modify the Neutralizer®AC, except to change the emitter pin or filter. High-voltage internal parts can cause electrical shock.
15. The operating and storage environmental conditions are: Temperature: 32°F to 104°F (0°C to 40°C), Relative humidity: 80% maximum, Operating altitude: 3000m maximum
16. ⚠ The internal lithium-ion battery might present a fire or chemical burn hazard if mistreated.
17. ⚠ Use only the lithium-ion battery that NRD specifies. Contact NRD for battery replacement.
18. When storing for two (2) weeks or longer, insert the safety key into the battery jack.
19. Do not operate the Neutralizer®AC without it being completely assembled. This includes the air nozzle and filter.
20. Do not point the nozzle at other people or toward your face. Even with the filter installed small particulate can get caught in the entrained air and be blown out the front.
21. Battery should be fully charged at least once every 60 days when in storage. When in use charge daily.
22. Clean the Neutralizer®AC with a clean, soft, and dry cloth on the exterior surfaces only.

## Charging the Battery

The Neutralizer®AC contains a lithium-ion battery. The lithium-ion battery might present a fire or chemical burn hazard if mistreated. Do not crush, puncture, or disassemble the lithium-ion battery.

**WARNING!** Only use the included battery charger.

The included battery charger is designed specifically for the battery used in the Neutralizer®AC Ionizer. Using a different charger could damage the Ionizing Blow Gun or cause a fire, voiding the warranty.

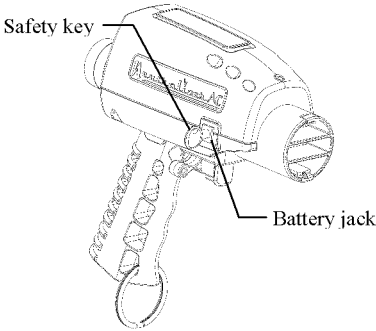


2937 Alt Boulevard / PO Box 310 / Grand Island, NY 14072-0310  
PHONE 716 773 7634 / FAX 716 773 7744 / EMAIL sales@nrddinc.com / WEB www.nrdinc.com

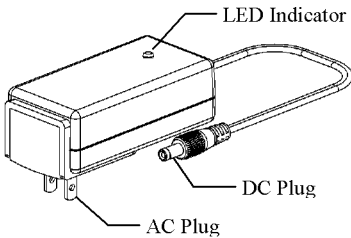
The battery should be charged completely prior to first use or if the green LED does not light when the trigger is depressed.

Charge the battery as follows:

- Remove the safety key. (Do not discard, save to use later)



- Connect the DC battery plug to the Neutralizer® AC battery jack.



- Connect charger to AC power source.
- LED indicator is Red when charging and Green when charge is complete.
- When charging is complete, disconnect charger from AC power source and then the Neutralizer® AC.

When LED indicator is Green the battery charger will not over charge the battery.

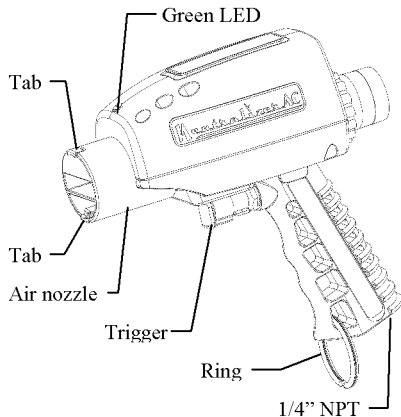
## Installation and Operation

Warranty Note: Failure to use clean, dry, filtered, compressed air will VOID warranty.

Air filters remove oil, water, and other debris from compressed air that could impede performance of the Ionizing Blow Gun.

1. Attach the Ionizing Blow Gun to a 1/4" NPT hose fitting. Screw the fitting securely into the base of the handle. Use thread sealant as needed.
2. Connect and turn on compressed air to Ionizing Blow Gun.
3. Regulate the air pressure to desired level. Do not exceed an inlet pressure of 50 psig.
4. Remove the safety key. (Do not discard, save to use later)
5. Squeeze trigger to begin air flow and activate the Neutralizer® AC Ionizing Blow Gun. Green LED on top of Ionizing Blow Gun will be lit to verify the air ionizer circuitry is activated.
6. Move the Ionizing Blow Gun in a slow sweeping path, at a distance of 12", covering the entire part. A powerful stream of ionized air will flow over objects and quickly neutralize electrostatic charges, remove dust and other foreign particulate clinging due to static attraction.

Note: Any contact, such as additional tacking, after the surface has been cleaned and ionized may result in re-charging the surface with static. We recommend that you repeat the cleaning of the part with the Ionizing Blow Gun. This ensures the static charges have been removed.



7. When the Neutralizer® AC Ionizing Blow Gun is not in use, use the ring to hang it from a hook.



2937 Alt Boulevard / PO Box 310 / Grand Island, NY 14072-0310  
PHONE 716 773 7634 / FAX 716 773 7744 / EMAIL sales@nrdinc.com / WEB www.nrdinc.com

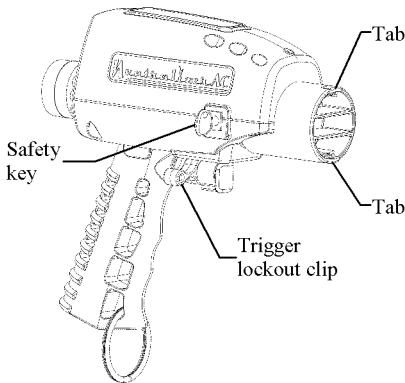
## Maintenance

The Neutralizer<sup>®</sup> AC Ionizing Blow Gun is designed to be durable, dependable, and trouble free. It requires a minimal amount of maintenance. Each application and environment in which static control is required is different, making it difficult to state accurately how often cleaning or maintenance is needed.

After a period of use, a small sphere of dust will accumulate on the emitter pin. Do not allow this accumulation to continue indefinitely. Although an ionizer may continue to perform satisfactorily when it is dirty, gross contamination will degrade its efficiency.

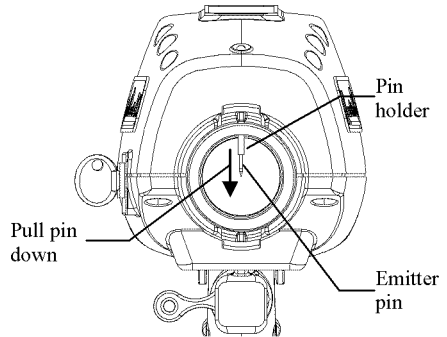
The Neutralizer<sup>®</sup> AC Ionizing Blow Gun is designed with a replaceable emitter pin, and comes with one (1) replacement pin. NRD recommends that the emitter pin be replaced every three months. Emitter pins may need to be replaced more often depending on the amount of use. Additional replacement emitter pins are available by contacting NRD.

This ionizer is categorized as “non-shockless”. This means there is a High Voltage Shock Hazard. Insert the safety key into the battery jack and attach the trigger lockout clip behind the trigger while maintenance is performed. Also, use caution whenever handling ionizers since the emitter pin is sharp and can cause punctures or scratches if mishandled.



Replace the emitter pin as follows:

1. Turn off the compressed air.
2. **CAUTION:** To avoid shock hazard insert the safety key into the battery jack and attach the trigger lockout clip behind the trigger.
3. Carefully squeeze tabs together and slide the air nozzle off of the Neutralizer<sup>®</sup> AC Ionizing Blow Gun.

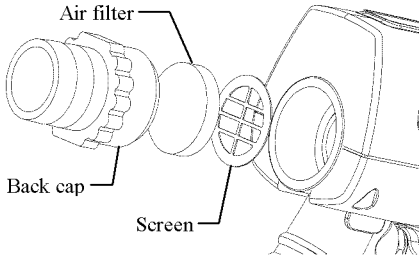


4. Using a pair of tweezers or pliers remove emitter pin from the pin holder, then through the outlet hole of the ionizer. Dispose of the emitter pin. **CAUTION:** do not bend the pin holder.
5. Insert the new emitter pin using the tweezers or pliers. Be sure to push the emitter pin in as far as it will go. **CAUTION:** do not bend the pin holder.
6. Carefully slide the air nozzle back over the tabs and snap it into place.
7. Remove the safety key and the trigger lockout clip. (Do not discard, save to use later)
8. Turn on the compressed air.



2937 Alt Boulevard / PO Box 310 / Grand Island, NY 14072-0310  
PHONE 716 773 7634 / FAX 716 773 7744 / EMAIL sales@nrddinc.com / WEB www.nrdinc.com

The Neutralizer® AC Ionizing Blow Gun is designed with a replaceable air filter. NRD recommends replacing the air filter every three months. The air filter may need to be replaced more often depending on amount of use. Additional replacement air filters are available by contacting NRD.



Replace filter media as follows:

1. Remove the back cap of the Neutralizer® AC Ionizing Blow Gun, by turning it counter-clockwise.
2. Remove filter media and screen.
3. Place screen and new filter media in back cavity.
4. Attach the back cap to the Neutralizer® AC Ionizing Blow Gun. Cap to be hand tight, do not over tighten.

Note: If the air directional cylinder falls out during the filter change, put the cylinder back in with the arrow for air flow pointing toward the front of the blow gun.

## Trouble Shooting Guide

<u>Symptom</u>	<u>Probable Cause</u>	<u>Corrective Action</u>
LED is not lighting	Battery does not have sufficient charge.	Recharge battery.
Static charges are not eliminated	Emitter pin is old or degraded. Ions generated are being recombined before they reach the charged surface	Replace emitter pin The Neutralizer® AC air nozzle needs to be closer to the charged surface
Air flow is reduced	Supply line filter(s) are plugged Neutralizer® AC air filter is plugged Air supply pressure is low	Replace supply line filter(s) Replace Neutralizer® AC air filter Increase air supply pressure
Battery is not charging	Battery charger is not recognizing the presence of a battery.	Unplug battery charger from AC power source for a few seconds, this will "Reset" the charger.

NOTE: If you are having a problem other than listed above or the corrective action is not correcting the problem contact NRD for further assistance.

## Device disposal



The Neutralizer® AC device should not be placed in household waste bins. Please check local regulations for information about the disposal of electronic products in your area.



2937 Alt Boulevard / PO Box 310 / Grand Island, NY 14072-0310  
 PHONE 716 773 7634 / FAX 716 773 7744 / EMAIL sales@nrdinc.com / WEB www.nrdinc.com

## Compliance Information

### FCC compliance statement (United States)

#### FCC Class A Part 15

This device complies with Part 15 of the FCC Rules. Operation is subject to the following two conditions: (1) This device may not cause harmful interference, and (2) this device must accept any interference received including interference that may cause undesired operation.

### Industry Canada compliance

NRD, LLC

Model 6500

This Class A Digital Apparatus Complies with Canadian ICES-003

### EU regulatory conformance

NRD, LLC hereby declares that this Neutralizer<sup>®</sup>AC, model 6500, device is in compliance with the essential requirements and other relevant provisions of EMC Directive 2004/108/EC.

### Australia and New Zealand regulatory conformance

NRD, LLC hereby declares that this Neutralizer<sup>®</sup>AC, model 6500, device is in compliance with the essential requirements and other relevant provisions of Australian and New Zealand Standard AS/NZS CISPR 11:2004.

### Additional regulatory conformance:

- Safety requirements for electrical equipment for measurement, control, and laboratory use – Part 1: General requirements included USA: UL-61010-1, Canada CSA-c22.2, EU BS EN 61010, IEC 61010-1.
- Hand-held non-electric power tools -- Noise measurement code, Reference number ISO 15744
- Hand Arm Vibration Measurement, Reference number ISO 28927
- Limits for Air Contamination, table Z-1, Ozone, Reference number 29 CFR 1910.1000.
- Reduction of Air Pressure below 30 PSI for Cleaning, Reference number 29 CFR 1910.242(b).
- EU RoHS Directive
- EU REACH regulation
- EU Packaging Directive.
- California Proposition 65

## Specifications:

Mass: 17,6 oz. (520 g)

Gas: Clean, dry, compressed air

Pressure: Maximum: 50 psig (3,5 bar)

Temperature: Maximum: 104°F (40°C)

Line Connection: 1/4" NPT, female

Sound Power Level: 98 dBA ±0,35 dBA within 0,66 confidence interval at 50 psig.

Vibration: 0,021 m/s<sup>2</sup> ±0,004 m/s<sup>2</sup> within 0,66 confidence interval at 50 psig.

Ozone Level: less than 0,01ppm

Outlet Air Pressure: Pressure relief in gun body, complies with OSHA requirements.



2937 Alt Boulevard / PO Box 310 / Grand Island, NY 14072-0310

PHONE 716 773 7634 / FAX 716 773 7744 / EMAIL sales@nrdinc.com / WEB www.nrdinc.com